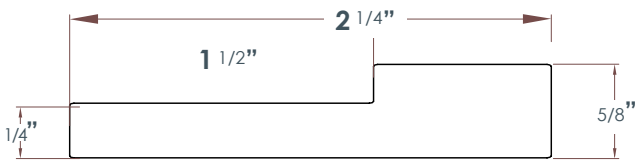


Framing



Framing

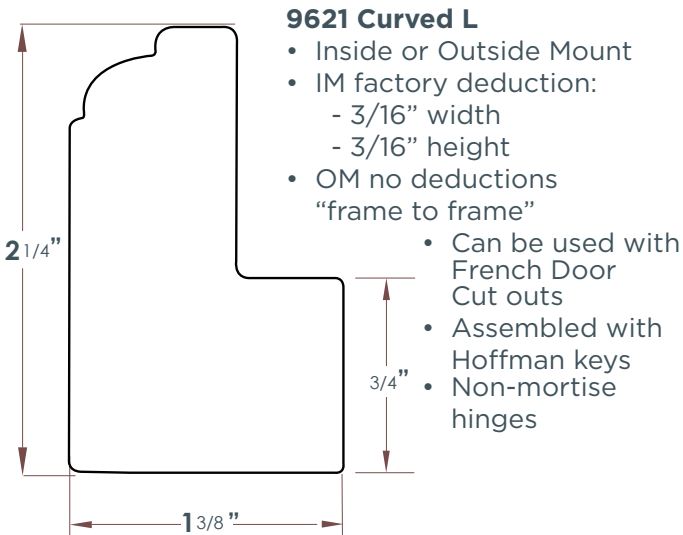


Sill Frame

- Inside or Outside Mount
- Inside Mount – frame sits on sill allowing for proper fit
- Can be used in combination with all frame except:
 - Hang Strip

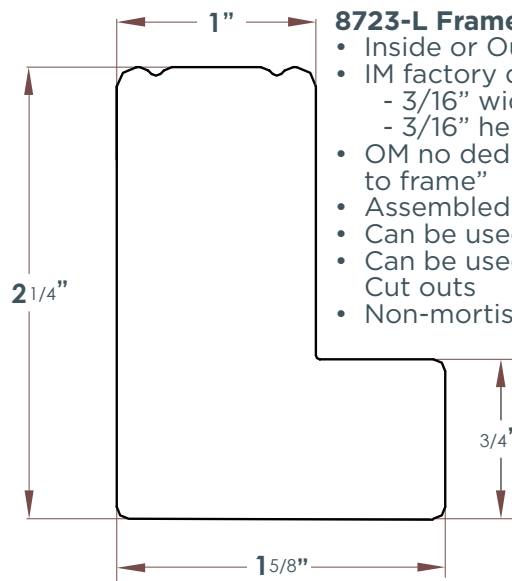
DIRECT MOUNT NO FRAME

- Inside Mount – Panel to hinge to jamb
- IM Factory deduction:
 - 3/16" width
 - 1/4" height
- Light Block supplied for left and right sides. Additional Light Block for top or bottom must be specified. Surcharge Applies.
- Non-mortise hinges



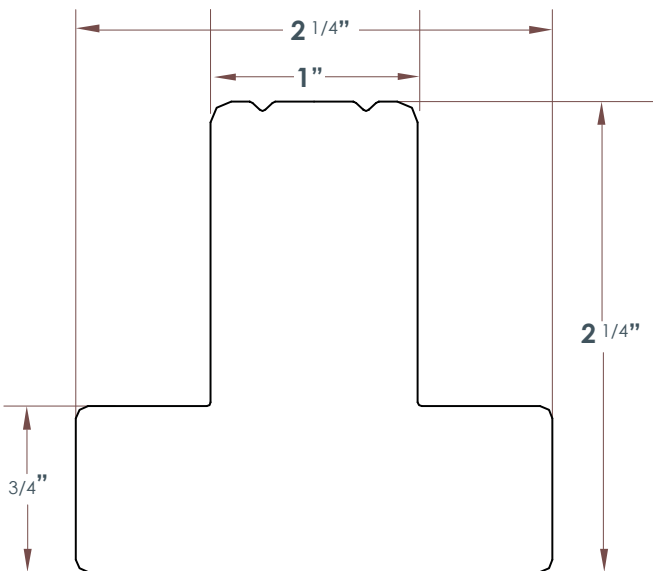
9621 Curved L

- Inside or Outside Mount
- IM factory deduction:
 - 3/16" width
 - 3/16" height
- OM no deductions "frame to frame"
 - Can be used with French Door Cut outs
 - Assembled with Hoffman keys
 - Non-mortise hinges

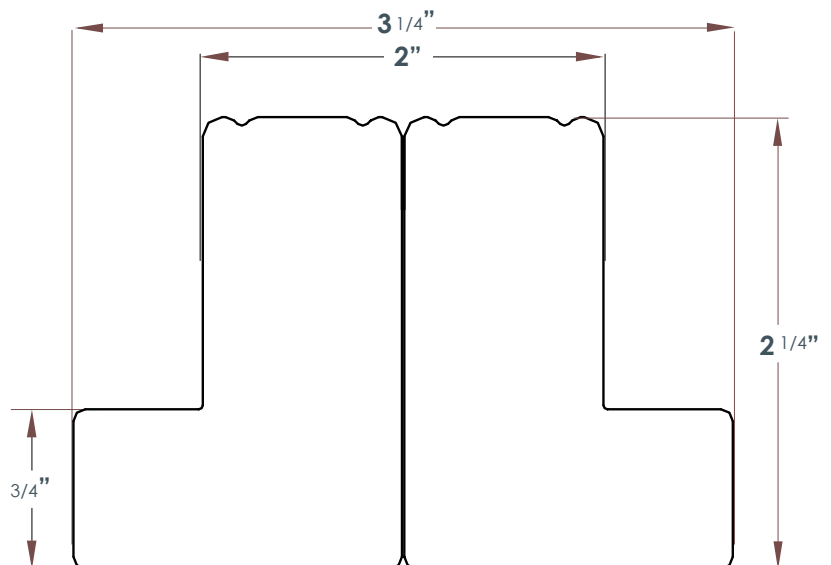


8723-L Frame

- Inside or Outside Mount
- IM factory deduction:
 - 3/16" width
 - 3/16" height
- OM no deductions "frame to frame"
- Assembled with Hoffman keys
- Can be used with ArcSolutions®
- Can be used with French Door Cut outs
- Non-mortise hinges



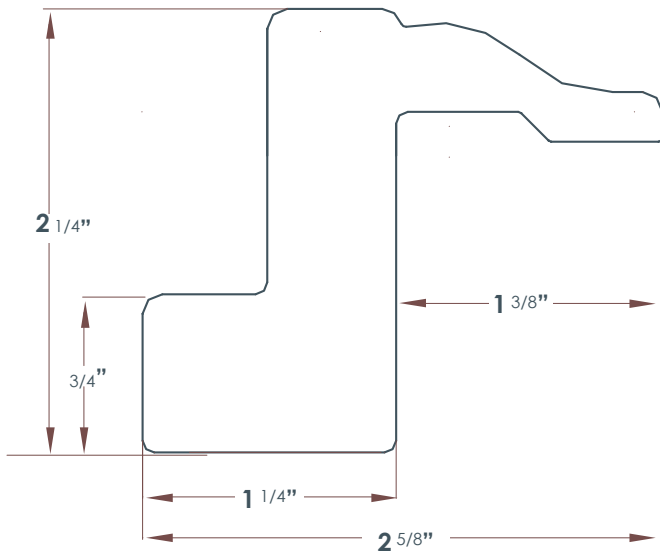
Standard T-Post



Double Wide T-Post: Add \$15 Each

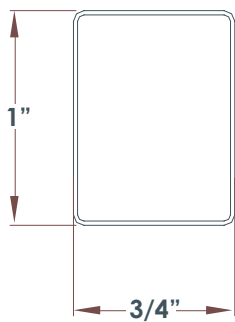
Note: Maximum Frame seamless width = 150".
Frames wider than 150" will be spliced.
(surcharge applies)

Framing



8796-Small Z

- Inside Mount
- IM Factory deduction:
 - 3/8" width
 - 3/8" height on 4 sided frames
 - 1/4" height on 3 sided + sill
- Assembled with Hoffman Keys
- Can be used for ArcSolutions®
- Non-Mortise Hinges
- Flange can be ripped for sill bottom or as required (*surcharge applies*)



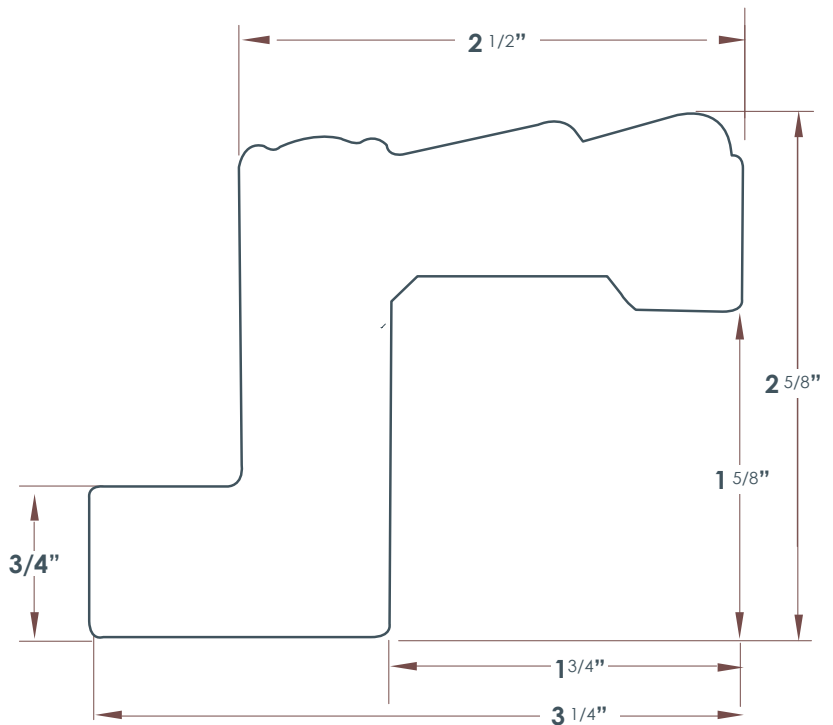
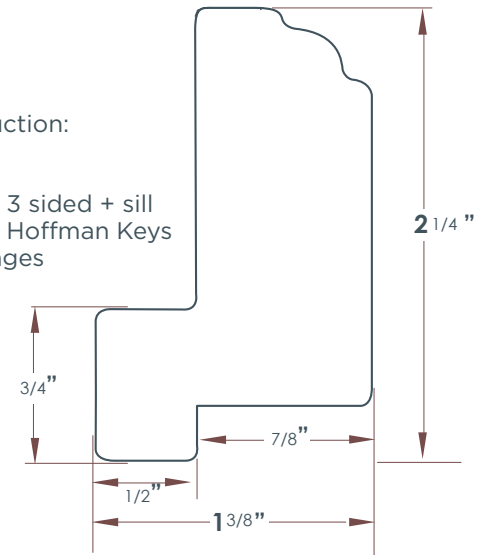
8600-Hang Strip

- Inside
- 2-sided frame; Additional Light Block for top or bottom must be specified. Surcharge Applies.
- IM factory deduction:
 - 3/16" width
 - 1/4" height
- Square cut ends - fit on job site
- Wrap around hinges

Note: Maximum Frame seamless width = 150". Frames wider than 150" will be spliced. (*surcharge applies*)

9376-Tilt In

- Inside Mount
- IM Factory deduction:
 - 1/4" width
 - 3/16" height on 4 sided or 3 sided + sill
- Assembled with Hoffman Keys
- Non-Mortise Hinges



8382-Large Z

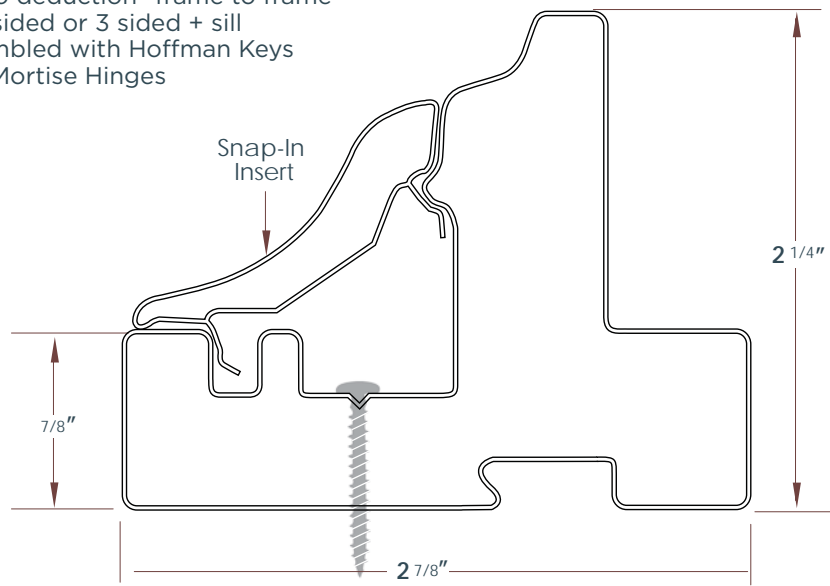
- Inside Mount
- IM Factory deduction:
 - 3/8" width
 - 3/8" height on 4 sided frames
 - 1/4" height on 3 sided + sill
- Assembled with Hoffman Keys
- Non-Mortise Hinges
- Flange can be ripped for sill bottom or as required (*surcharge applies*)



Framing

9361-Crown

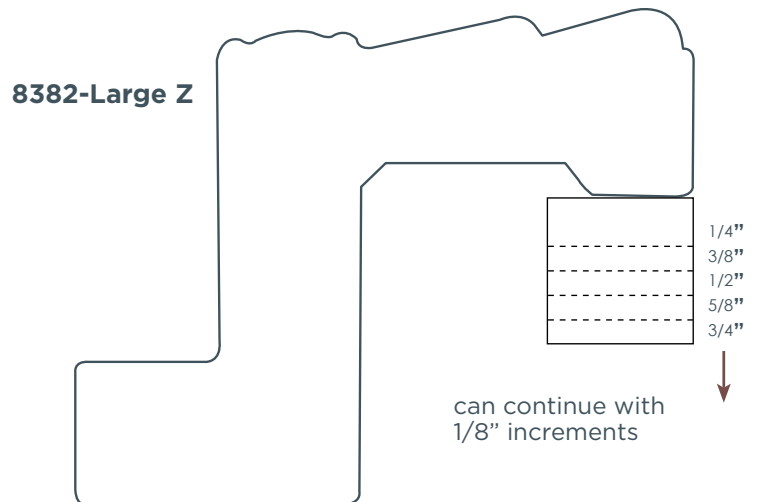
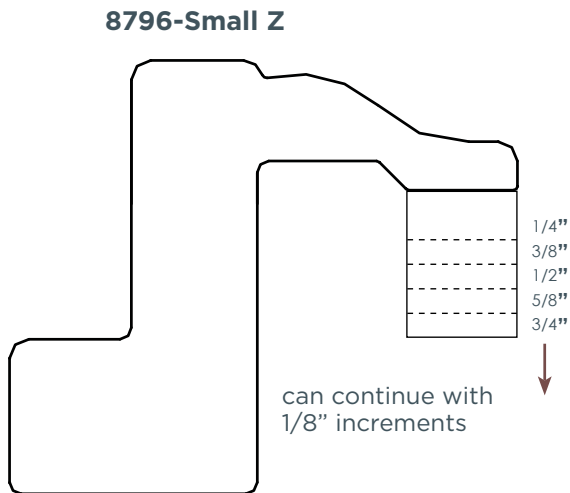
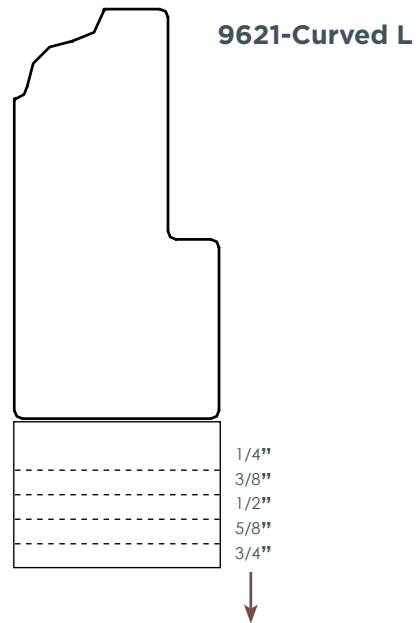
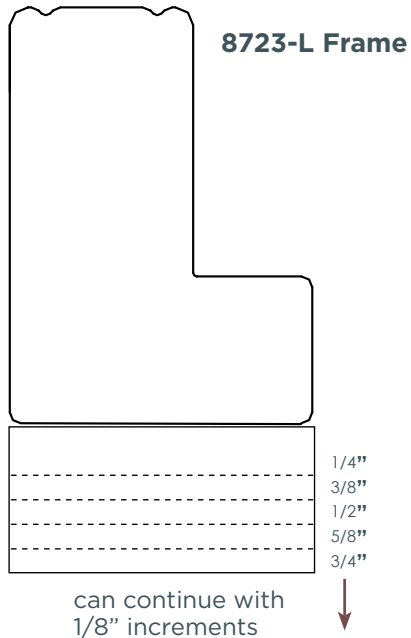
- Outside Mount Only
- OM no deduction "frame to frame" on 4 sided or 3 sided + sill
- Assembled with Hoffman Keys
- Non-Mortise Hinges



Note: Maximum Frame seamless width = 150".
Frames wider than 150" will be spliced.
(surcharge applies)



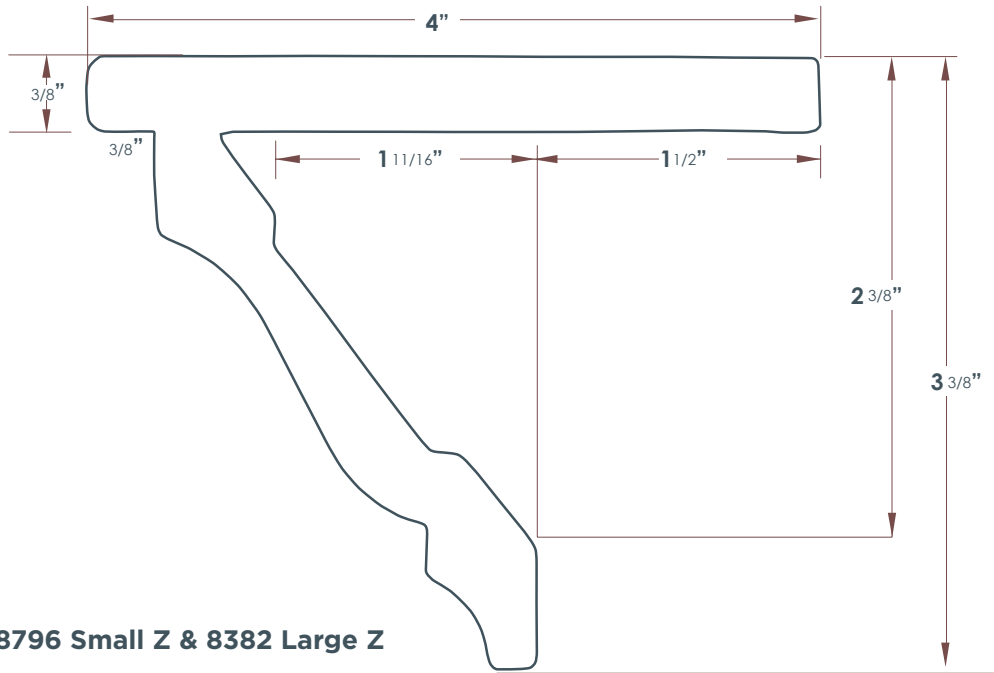
Frames With Build Out



Note: Maximum Frame seamless width = 150".
Frames wider than 150" will be spliced.
(surcharge applies)



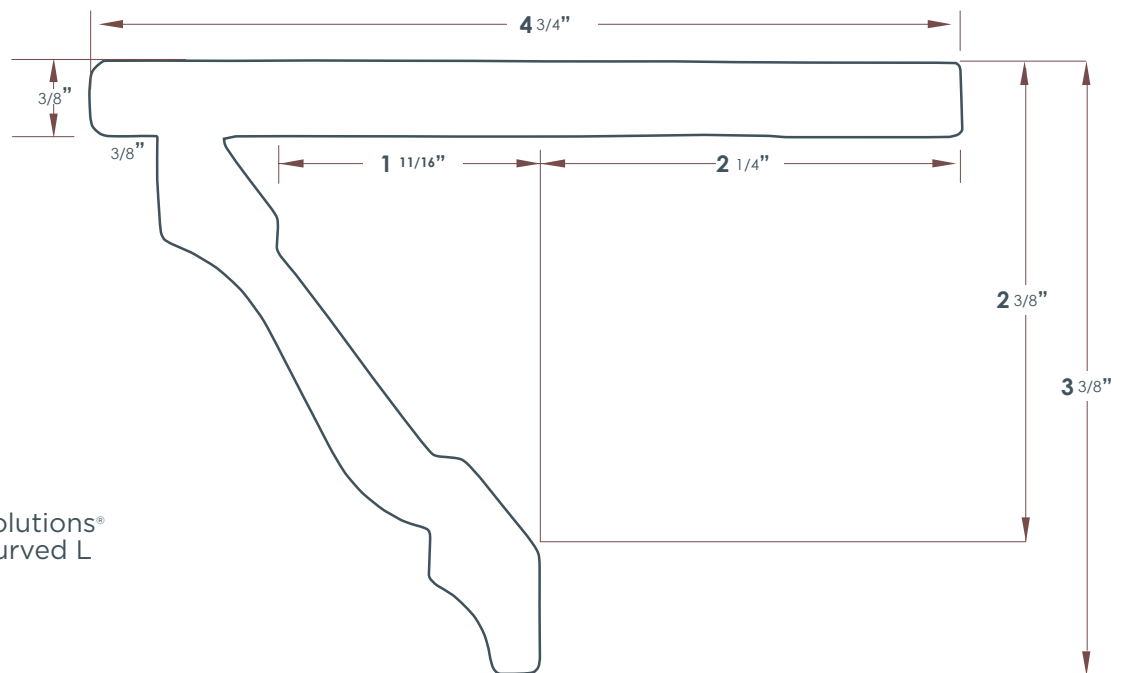
Framing Specialties



8796 Small Z & 8382 Large Z

Deco Sill Cover

- Inside Mount
- Can be used for ArcSolutions®
- 8796 Small Z, 8382 Large Z and 9376 Tilt-in



Deco Sill Cover

- Inside Mount
- Can be used for ArcSolutions®
- 8723 L Frame, 9621 Curved L

Note: Maximum Frame seamless width = 150".
Frames wider than 150" will be spliced.
(surcharge applies)

