

A Window... A Room... A Lifestyle! Your Personal Design Statement Begins with Mirasol® Shutters



A Modern-Day Classic in Shutter Design

From traditional to contemporary, casual to formal... express your individual style with the timeless beauty of Mirasol® Shutters. Now you can add dramatic light control and a personal touch of elegance to any room—at prices designed for any budget!

Today's Mirasol Shutters combine the traditional warmth and beauty of natural wood with the practical advantages of high-tech materials and intelligent design.

They are quality engineered using an advanced, solid-core composite material that outperforms other shutters. A specially hardened encapsulation ensures a smooth, long-lasting satin finish that stands up to moisture, heat, and ultraviolet rays without fading, denting, warping or chipping.

Energy Savvy® Mirasol Shutters insulate better than wood, yet they're less expensive and easier to care for. The shutters are both FR Assured® for flame retardant, and GreenAssured® to meet or exceed all proposed environmental regulations for toxic emissions.

The high-tech features, impeccable beauty and quality construction of Mirasol Shutters will significantly enhance the value of your home, at an extremely affordable price.

You could pay more for a window treatment, but you won't find a better value than Mirasol Shutters!

Timeless Beauty, Then and Now.

Window shutters have been used since ancient times for light control and ventilation in warm, sunny climates. Today, thanks to technological advances in window materials and production methods, non-wood shutters have evolved beyond the Sunbelt and into the mainstream of modern window fashion, from exterior protection to an interior design element that has captured the imagination of decorators around the world.

Feature for Feature, Mirasol is the Best Shutter Value on the Market!

Shutter Collections

Mirasol® Premier Collection

- High-fashion light control with a distinctive, personalized style.
- Versatile range of louvers and frame styles.
- New closed-cell composite technology ensures superior strength. Will not warp, dent or chip.
- Ruggedized cap stock enhances surface integrity; resists moisture, heat, UV rays; stays "Always Dry" even in kitchens & baths.
- Easy, low-cost maintenance—perfect for today's busy lifestyles.
- Energy Savvy® — insulating properties lowers cooling costs.
- GreenAssured® — Formaldehyde-Safe Formulation meets or exceeds proposed environmental regulations against toxic emissions.
- FR Assured® — Fire Retardant to meet or exceed standards established by the National Fire Protection Association.
- Smart design & production mean lower prices for any homeowner.
- Built in the U.S.A. for fast, reliable delivery.

Mirasol® Classic Collection

- All the features of Mirasol Premier in 15 fabulously painted colors.
- Meet Your Match—custom color match (*light tints only*)



Mirasol[®]
Shutter Collections

Classic
Premier

Features & Benefits

- Built in the USA** Fast reliable service and delivery
- Three Louver Sizes** 2 1/2", 3 1/2" and 4 1/2" louvers. Optimize your view and maintain privacy.
- Fashionable Colors** Coordinate with any type of décor or furniture. The Premier Collection is offered in Aspen. The Classic Collection is offered in 15 fabulously painted colors including a custom color option.
- always dry™** Resists the damaging effects of moisture making it a perfect choice for coastal areas and wet or salty environments. Perfect for bathrooms, pools and Jacuzzis.
- Energy Savvy®** Reduce heating and cooling costs (*test data available*) and reduce outside noise.
- greenassured®** Non-toxic formulation (*test data available*) that meet regulations regarding formaldehyde and VOC emissions. Mirasol® shutters are 100% recyclable.
- FRassured®** Fire retardant to meet or exceed NFPA 701 small scale test. (*test data available*).
- Ruggedized Cap-Stock** Mirasol's especially hardened service enhances surface integrity. It resists dents, dings, peeling and cracking.
- Carefree** Easy to maintain with regular dusting, Mirasol Shutters are also easily cleaned with ordinary soap and water.
- childsafe** Shutters do not have cords which could be harmful to children.
- Gorgeous Frames** Decorative frames are fashionable and provide installation solutions for most any window.
- ARC SOLUTIONS** Specialty options for arch and angled window tops.
- Bacteria Free** Mirasol's advanced composite technology does not promote the growth of fungus or bacteria.
- Advanced Technology** Mirasol shutters are manufactured with an advanced composite technology that contains optimum levels of UV inhibitors and are fade resistant.
- Values** Smart design and production means superb quality at popular price points.
- Options** Bi-fold and Bi-Pass track systems, café style, double hung and additional options too numerous to list make Mirasol a perfect choice for nearly any window.
- Limited Warranty** We believe Mirasol will be a permanent part of your home or office for years to come.

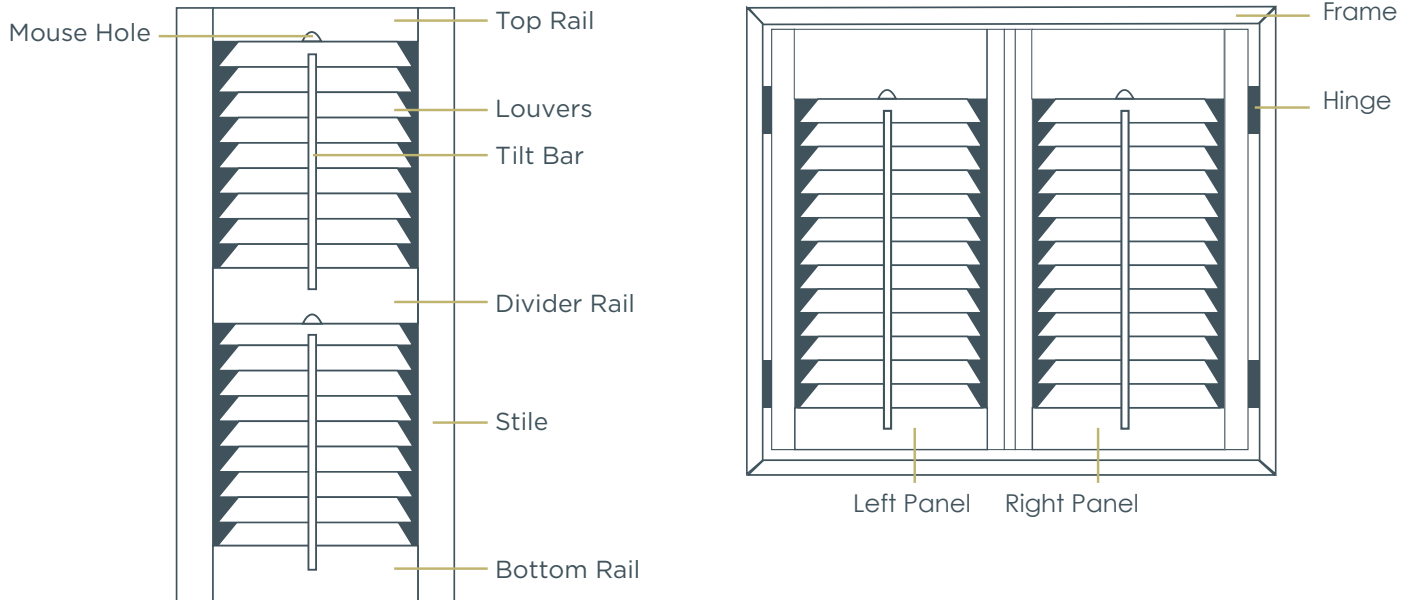


www.mirasolshutters.com
9 West Tower Circle, Ste. A
Ormond Beach, FL 32174
P: 386.301.5172
F: 386.366.8070

© 2015 ITA Inc. Energy Savvy®, FR Assured®, GreenAssured® and Mirasol® Shutters, are Registered Trademarks of ITA Inc., Palm Coast, Florida.

Shutter Terminology

Parts Description



Component Identification

Each shutter component will be marked with an easily removed label to show:

- Whether the component is a panel or a frame part.
- The customer number.
- The customer order number.
- The line item number from the order form.
- The line item number will carry a suffix showing the location of the component.

“A” = the first panel on the left of the shutter.

“B” = the second panel from the left of the shutter. Etc., through “F”

“L” = the left side of the frame.

“R” = the right side of the frame. Etc., through “T” and “B”.

These labels may be easily removed once the shutter has been installed.

The natural beauty of shutters.

Shutter Terminology

ArcSolutions®

Exclusive to Mirasol®, ArcSolutions® describes the comprehensive suite of specialty shutters for arch, eyebrow and angle top windows.

Arched Top Panels

Panels are shaped to the curvature of the window. Mirasol offers two options; - Contoured Arch or Step Top Arch.

Astragal Stiles

Astragal stiles have an extra flange attached to the overlapping stile that offers better closure in light block.

Bi-Fold Panels

Bi-fold panels are two panels, when hinged together, fold against each other. On larger windows, Bi-fold panels can be supported by a track system.

Build Out

Build out is used to extend a frame away from the wall. Typically, it is used to move a shutter beyond an obstruction, such as protruding window sill, tiled wall, or crank handle.

Butt Hinge (*Lo-Profile Hinge*)

A butt hinge is used to connect two or more panels together in a bi-fold design. Butt hinges are surface mounted on the back to join the panels.

By-Pass Panels

By-pass panels are two or more panels mounted on an overhead track system that slide past one another.

Café Style Shutters

Café shutters cover the lower portion of the window. If framing is extended to go around the entire window opening a surcharge will apply.

Contoured Arch Top

In a contoured arch the louvers go up to the top of the panel. The louvers are “cut and shaped” into the arch. Every contour arch is different and depending on the size and shape of the window some or all of the louvers operate, or some or all may be fixed, or finally, some may be operable and fixed within the arch.

Divider Rail

A divider rail, sometimes called a “mid-rail”, is placed between the top and bottom rail to add structure and integrity to the panel. The divider rail also enables the louvers in the upper section to move independently from those in the lower section.

Double Hung

Two independently operated panels, one mounted over the other.

EnergySavvy®

Energy Savvy describes Mirasol’s testing program to establish energy saving data unique to Mirasol Shutters.

Eyebrow

An eyebrow arch top is a shutter in which the width is greater than the height for the arch.

Fascia (*Valance*)

A decorative trim used to hide the track in a track system.

The natural beauty of shutters.

Shutter Terminology

Filler Strip

A filler strip (*sometimes called "Build out"*) is used to return a Z-frame back to the wall when it is necessary for the frame to not be fully recessed into the opening.

Flange

The flange is the part of the Z-frame that overlaps the wall.

Gliders

Mirasol® Gliders feature an overhead aluminum track system from which the panels are suspended. Smoothly sliding on precision-crafted wheeled carriers, the panels glide open or closed as they are effortlessly pushed from side to side.

GreenAssured®

Mirasol Shutters are compliant to proposed regulations against toxic emissions and against formaldehyde off gassing. Mirasol test data is published under criteria established by ITA's Green Assured program.

Hanging (*hidden*) Strip

A $\frac{3}{4}$ " x 1" strip that is mounted behind the panels and in combination with a wrap around hinge, permits an IM installation

Hidden Tilt Bar

Hidden tilt is an aluminum tilt bar that is nailed into the sides of the louver and nests into the stile on the back side of the panel. This construction eliminates the centered traditional tilt bar for an unobstructed or clear view through the louvers. It is sometimes referred to as rear tilt.

Hoffman Keys

Mirasol frames are mitered and joined with a "Hoffman key". The "Dovetail" key is a plastic fastener that slides into a groove in the frame.

Horizontal T-Post

A T-post mounted across the shutter to separate independent panels mounted above and below each other. It offers a superior assembly for "double hung" shutters.

Hub

The hub is responsible for giving fan top shutters their unique shape and look. It is a circular piece of material located in the center of the shutter. The louvers connect from the hub directly to the frame, creating a sunburst effect

Linear Foot

The measurement taken to charge for a length of material, such as tracks, build out, hang strips and mount boards. Measure the length required and "round up" to the nearest foot.

Louvers

Louvers are the panel components that rotate to offer control over the light and view.

Mouse Hole

The mouse hole is placed in the top rail and is positioned so that the tilt rod "nests" into the mouse hole. Mirasol mouse hole is top only, but can be specified to be added to the bottom rail as well. There is no mouse hole on rear tilt panels.

Mullion

The part of the window itself, either vertical, horizontal or both, that divides the glass panes.

Shutter Terminology

NWF (*net with frame*)

With this method of taking dimensions the measurements correspond to the finished size of the shutter, including the frame measured from the front of the shutter.

Opening Size

The dimensions of the window opening.

Outside Mount

A shutter mounted to the outside of the window case or on the wall around the window.

Rabbed Stile

Stile that has an interlocking shape to ensure a tighter fit between panels, resulting in an effective light block and professional look. The rabbet detail on the right panels close over the rabbet detail on the left panels.

Rear Tilt

Same as "Hidden Tilt"

Shutter Frame

The shutter frame is a profile used to frame the shutter panels. Frames provide a square and even mounting structure for the panels, can compensate for an out of square openings, offer superb light blockage, and add a decorative trim to the window opening.

Step-Top Arch

In a step-top arch the "top rail" is solid within the arch. There is a maximum rise of 15" inches from the break point to the top. The step top solid rail is mouse holed and the louvers below are all operable.

Stiles

Stiles are the vertical side pieces of a panel that are secured to the horizontal rails. The stiles hold the louvers into place and keep them evenly spaced for proper operation.

Sub Stile / Center Stile

The stile that is created when two stiles are joined together in Bi-Pass configurations

T-Post

The T-post is a vertical component that is inserted into a shutter frame to separate the individual panels and also add structural support. It is required once a shutter surpasses Mirasol's maximum width though it can also be used for decorative purposes or to cover a window mullion.

Tension Screw

The screw(s) installed through the stile into the louver. It is a Phillips head screw and is used to adjust the tensioning of the louvers.

Tilt Rod

A tilt rod is located in the center of the panel and coordinates the movement of the louvers by connecting them to one another. When opening the louvers, pull down on a louver but do not pull on the tilt rod.

Track

The metal hardware system used to carry the shutters in a bi-fold or by-pass configuration.

Valance (*same as Fascia*)

A decorative trim used to hide the track in a track system.

Colors & Louvers

Premier Advanced Composite Technology

Aspen	182
Fleece	178

Classic Fabulously Painted Colors

Bright White.....	1110
Snow Board.....	7004
Silk White.....	1002
Pure White.....	7005
Alabaster.....	7008
Natural Choice.....	7011
Creamy.....	7012
Dover White.....	6385
Antique White	6119
Agreeable Gray.....	7029
Accessible Beige.....	7036
Mindful Gray.....	7016
Amazing Gray.....	7044
Beige.....	6106
Nomadic Desert.....	6107
Latte.....	6108
Navajo White.....	6126
Moderate White.....	6140
Divine White.....	6105
Soft Tan.....	6141
Meet your Match.....	Custom Color Match (light tints only)

Louver Clearance

Clearances required are:

Inside Mounts:

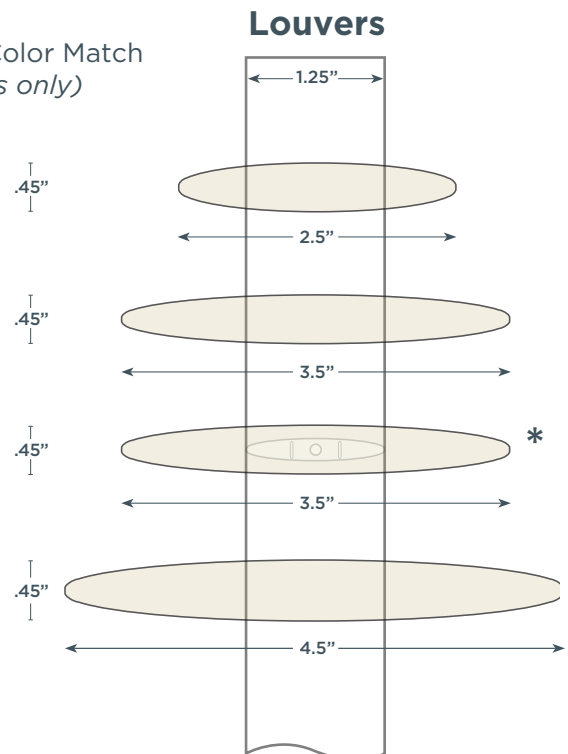
- 2 1/2 Louvers = 2 inches
- 3 1/2 Louvers = 2 1/2 inches
- 4 1/2 Louvers = 3 inches

Outside Mounts:

- 2 1/2 Louvers = 0 inches
- 3 1/2 Louvers = 1/4 inch
- 4 1/2 Louvers = 3/4 inch

Hidden Tilt Rod Clearance:

For Hidden Tilt add an additional 3/16" to the standard clearance for all louver sizes



*MAX36 Reinforced Louver - Surcharge Applies

Louver View Through

Standard Tilt Rod View Through



2.5"



3.5"



4.5"

Hidden Tilt Rod View Through



2.5"



3.5"



4.5"