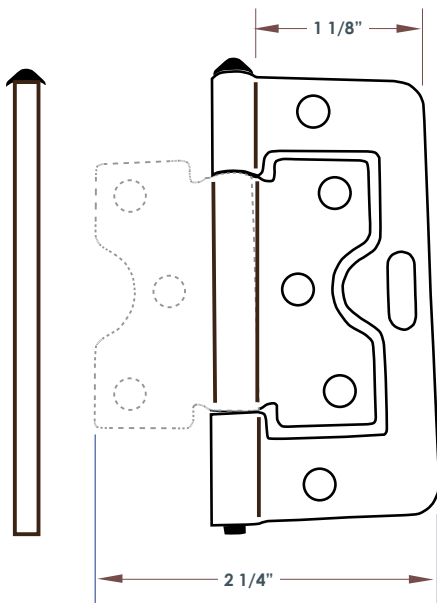


Hinges

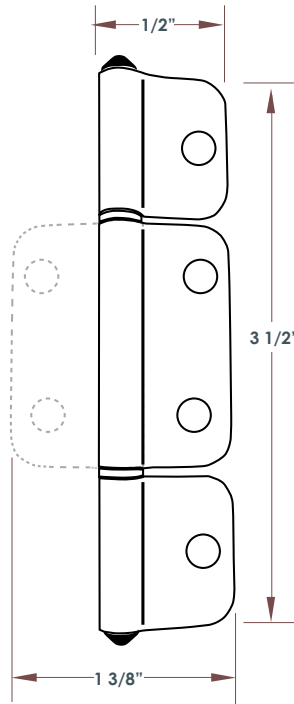
3" Non Mortise Hinge

- Removable Pin
- .075 Steel Gauge
- Direct Mount
- 8723 L-Frame
- 8796 Small Z Frame
- 8382 Large Z
- 9621 Curved L
- 9376 Tilt In
- 9361 Crown



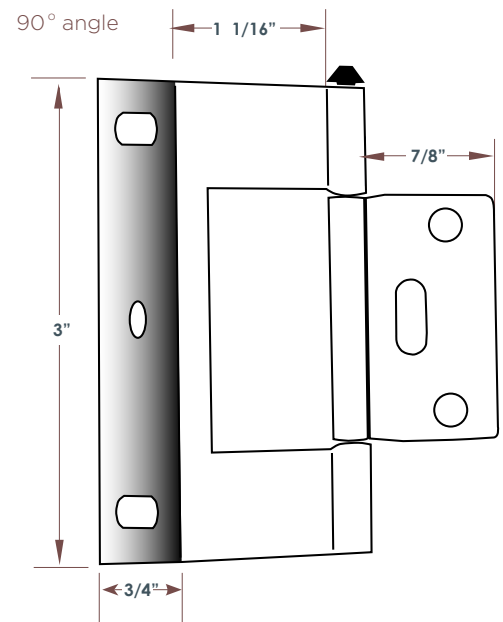
3 1/2" Low Profile Hinge

- Fixed Pin
- All Inner Panels (Bi-Fold)



Wrap Around Hinge

- Removable Pin
- 8600 Hang Strip
- Painted Only
(optional colors are not available)



Premier Collection

Hinge (powder coated)

182 Aspen
178 Fleece

Classic Collection

Hinge

All Available
Colors Painted
To Match

Optional Hinge colors



Stainless Steel
(surcharge)



Antique Brass



Bright Brass

Hinge Spacing

- Top of hinge mounted 4" from top of panel
- Spacing every 23 1/2"

The natural beauty of shutters.

