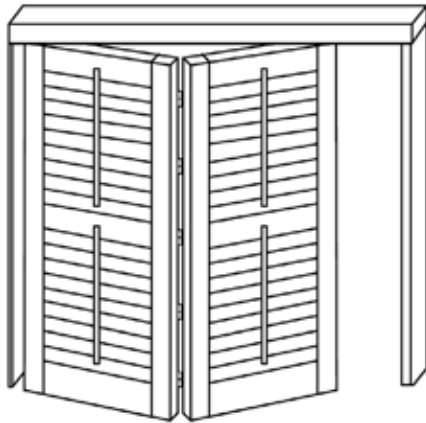


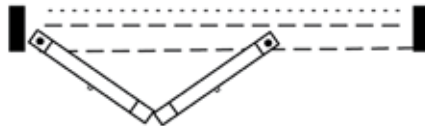
Bi-Fold Track System

Surcharge Applies.

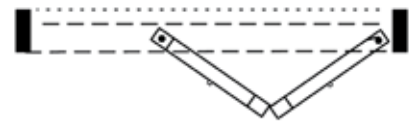
Two Panel BI-Fold Track System



P2 BF-2



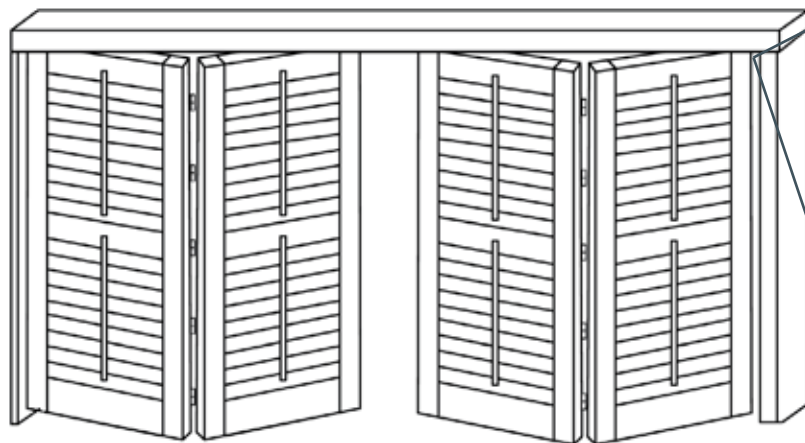
P2 BF-2R



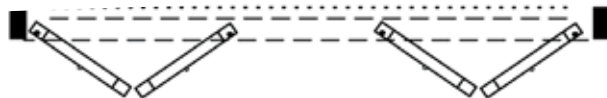
Two Panel BI-Fold Track System

- Inside or Outside Mount
- With or without Side Legs
- Decorative Valance depth is 3"
- Standard Valance depth is 2 1/4"
- Track is pre-installed on the header; standard 1 track only
- Wheel carrier bracket and top pivot are pre-installed on the panel

Four Panel BI-Fold Track System

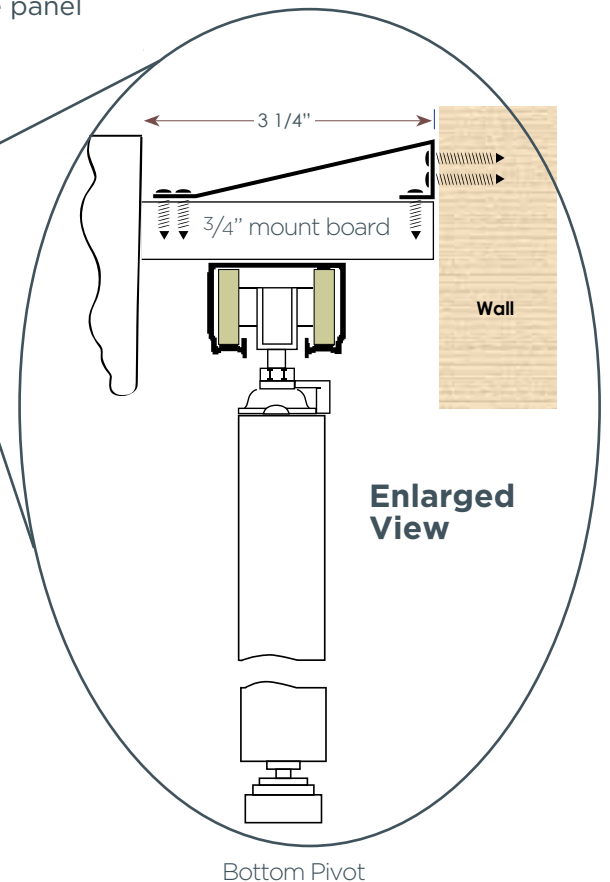


P4 BF-2L/2R



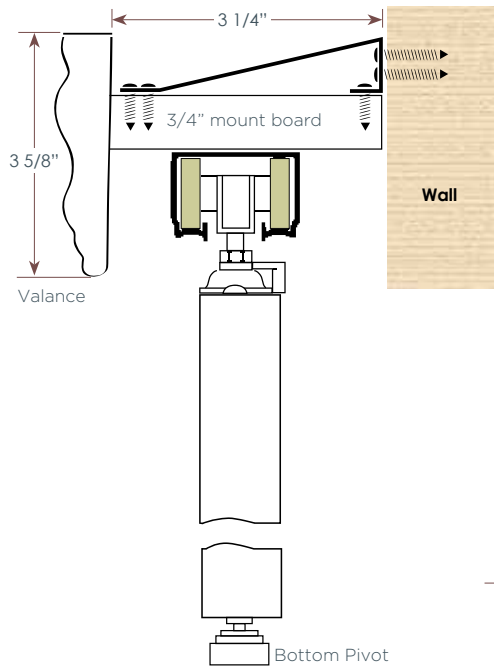
Four Panel BI-Fold Track System

- Inside or Outside Mount
- With or without Side Legs
- Decorative Valance depth is 3"
- Standard Valance depth is 2 1/4"
- Track is pre-installed on the header; standard 1 track only
- Wheel carrier bracket and top pivot are pre-installed on the panel

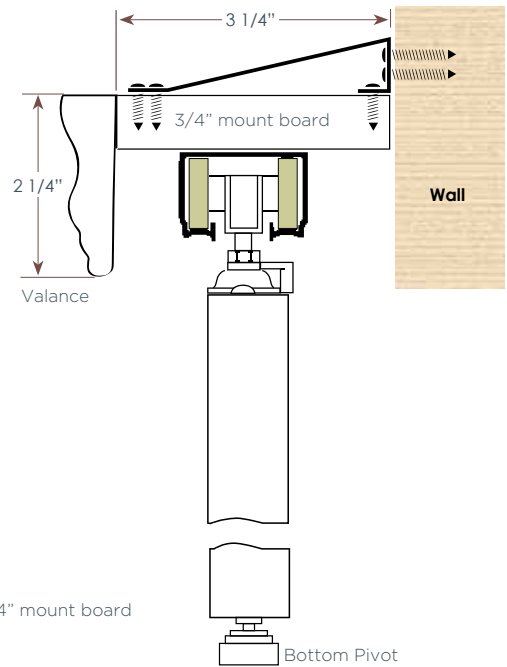


Bi-Fold Track System Installation Options

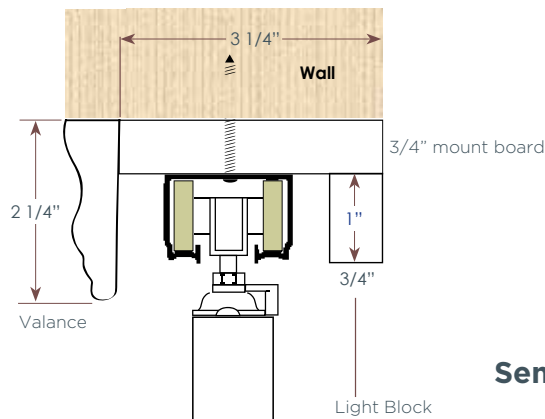
**Outside Wall Mount With
Deco Valance**



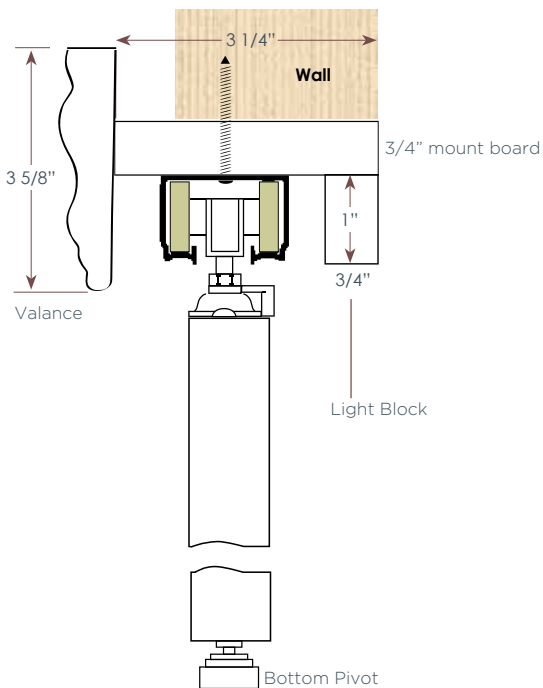
**Outside Wall Mount With
Standard Valance**



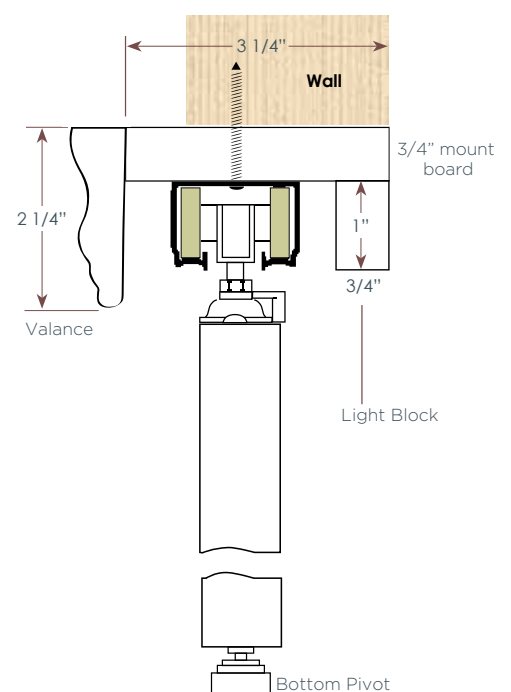
**Full Inside Mount With
Standard Valance:
No Returns**



**Semi-Inside Mount With
Deco Valance**



**Semi-Inside Mount With
Standard Valance**



(surcharge applies)

